

2

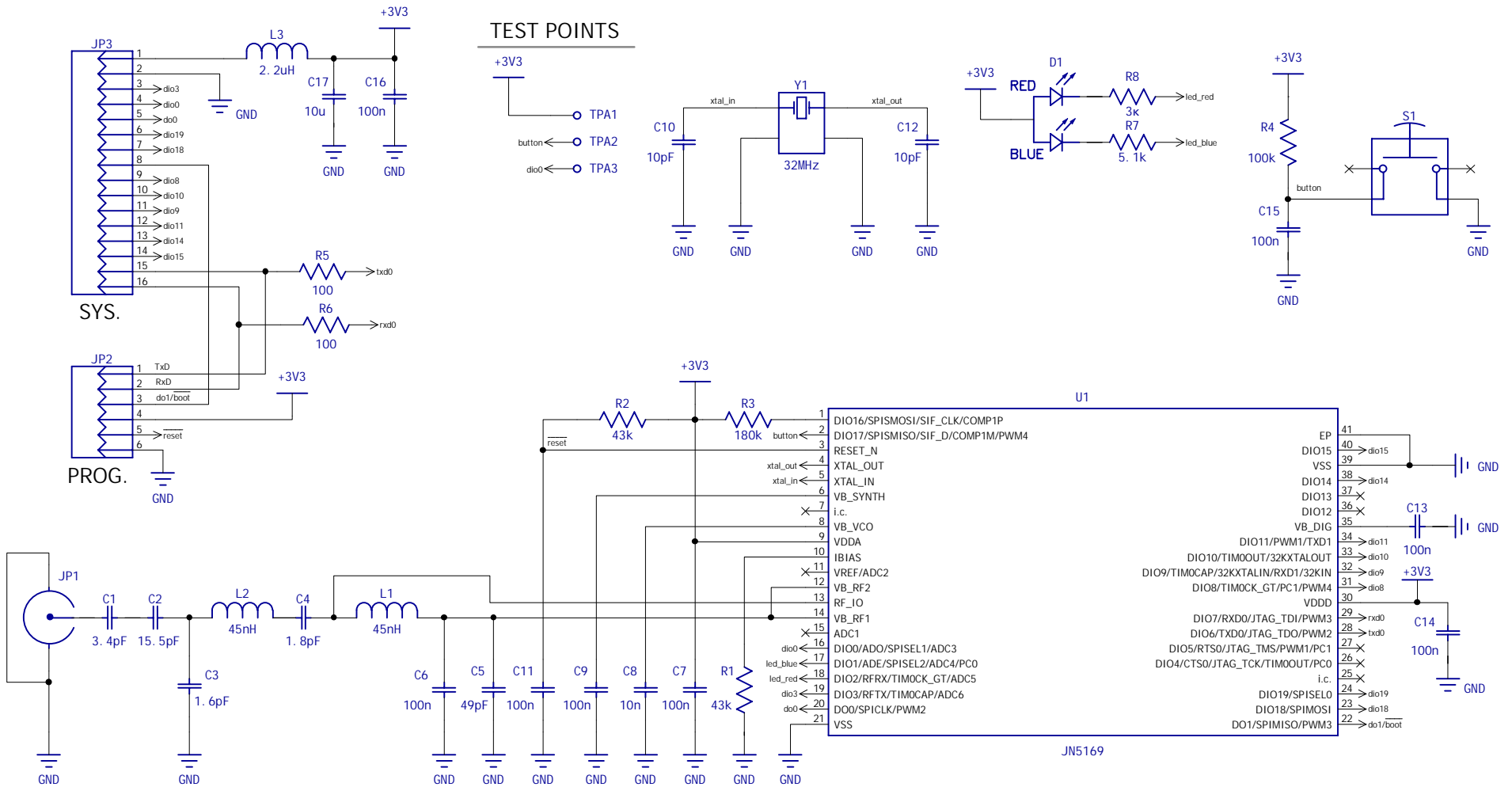
1

B

B

A

A



re-engr.ru		LM16-DCC-A-T1		
		0119 E243002 BY-002 94V-0 LUMI PATENTED		
	SIZE	FSCM NO.	DWG NO.	REV 1
01.08.20		SCALE	mcu module	

2

1