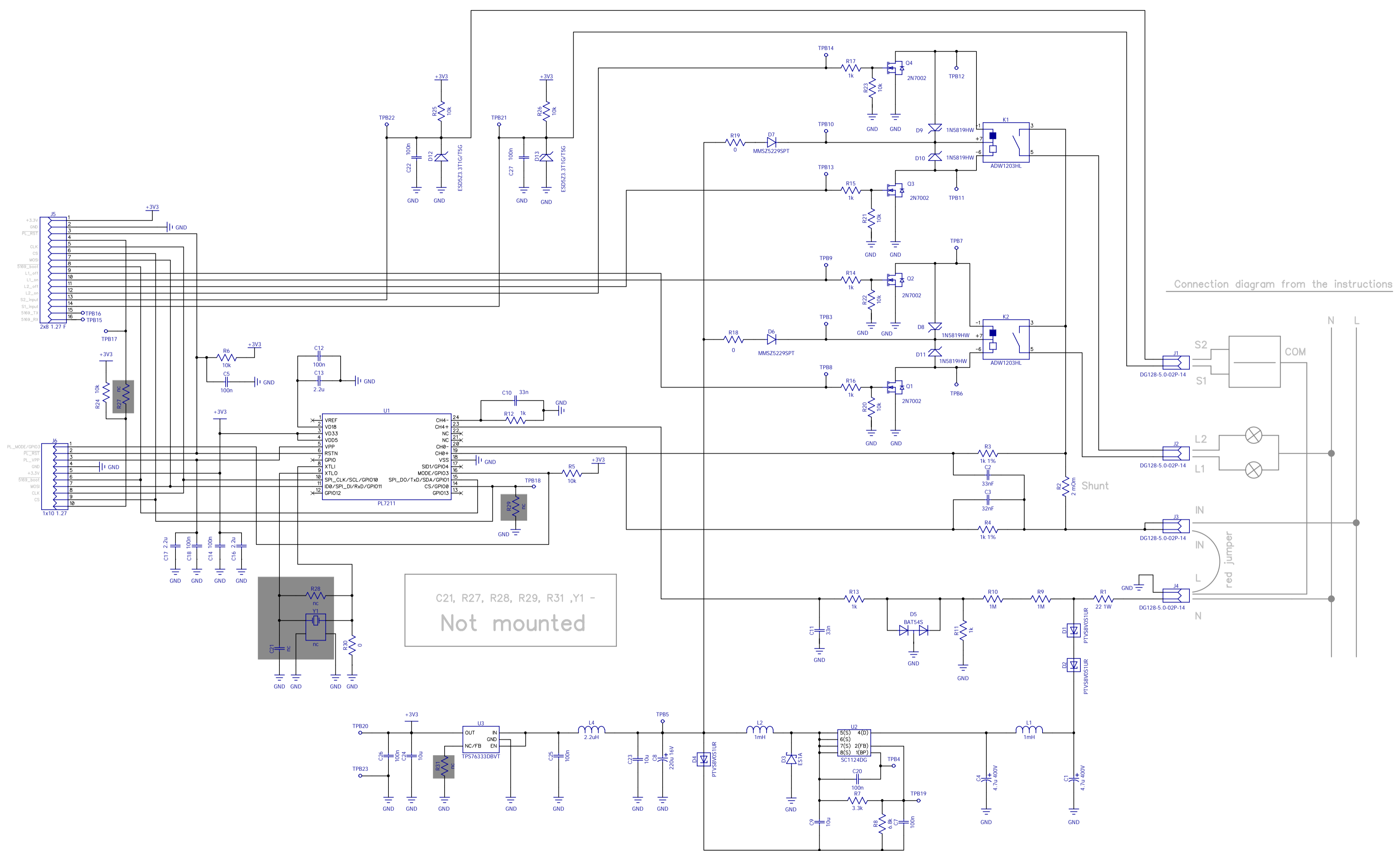


REVISIONS				
ZONE	REV	DESCRIPTION	DATE	APPROVED



re-engr.ru	LM16-DCC-B-T2			
	0319 E24-3002 94V-0 PC-001			
	SIZE	FSCM NO.	DWG NO.	REV
08.02.2021	SCALE		pwr module	1